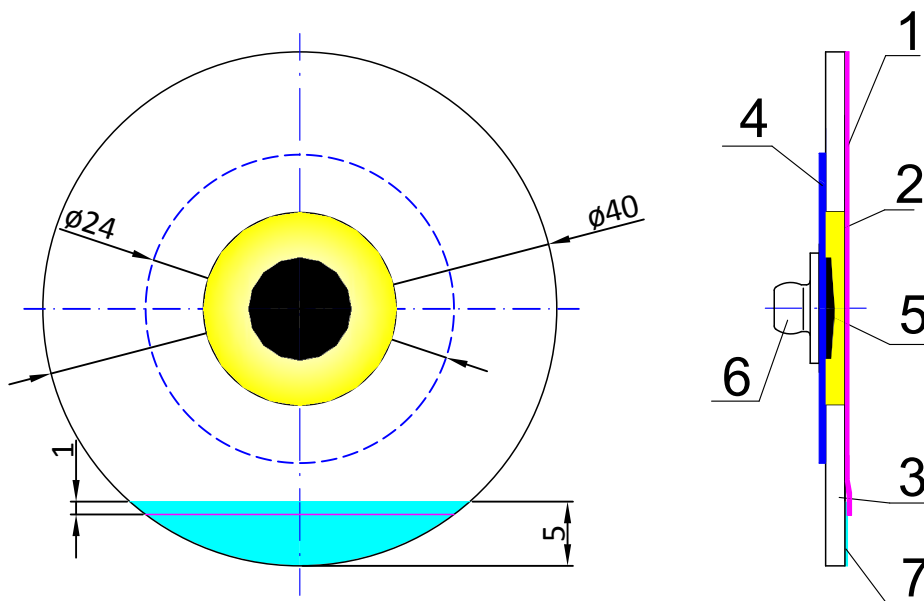


SPECIAL MEDICAL DEVICES

esvimed

ES GS40 ECG Electrode

Application: monitoring



- 1-One side siliconized PET release liner
- 2-Ring of gel cured by UV lamp
- 3-PE foam 1 mm thick
- 4-Round $\varnothing 24$ PE label
- 5-Sensor Ag/AgCl
- 6-Stainless sensor stud
- 7- Paper finger tip

ESVICO Sp.z o.o.

84-214 Bożepole Wielkie, ul. Chmieleniecka 15
NIP: 588-237-42-30, REGON: 221198703, KRS: 0000420978
ALIOR BANK S.A. nr konta: 96 2490 0005 0000 4500 3009 0184
fax: +48 58 671 75 39, tel.:+48 601 737677 jakub.figiel@esvico.pl,